

970 Elite
980 Elite

970 Elite
980 Elite

CAB

- Low internal noise level of just 78 dBA ensures operator comfort.
- Large areas of tinted glass allow superb all round visibility.
- Low line curved hood enhances forward visibility.
- Full depth rear window for comprehensive visibility to the trench.
- In the raised position the rear window provides ventilation yet gives protection from rain.
- Door windows can be partially or fully opened for maximum ventilation.
- Cab is ROPS and FOPS approved for maximum operator comfort.
- Well laid out controls for ease of operation.
- Touch operated switches for operator convenience.
- Instrumentation easy to clean.
- Spacious interior giving ample room to the operator at both work stations.
- Wide door opening, self-cleaning steps and large grab rails make access easy.
- Adjustable tilt steering wheel to suit all operating styles.
- Fully adjustable suspension seat with lap belt maximises operator comfort.
- Air re-circulation enables quick warm up on cold days.
- Two front and two rear defrosting vents.
- Powerful 3 speed heater supplies a further two forward and three rear vents.
- Air conditioning option available.
- Extensive stowage facilities.
- Heavy duty easy to clean rubber floor mat.
- Twin externally mounted rear view mirrors.
- Hazard warning and full lighting controls.
- Audible/visual warning covering park brake, transmission oil temp, engine coolant, engine oil pressure, hydraulic oil filter and air cleaner.
- Visual indication on 4wd engagement, hazard lights, main beam, battery charge, direction indicators and front / rear wipers.
- Adjustable rear working lights.
- Electronic loader control and mechanical backhoe controls.

HYDRAULICS

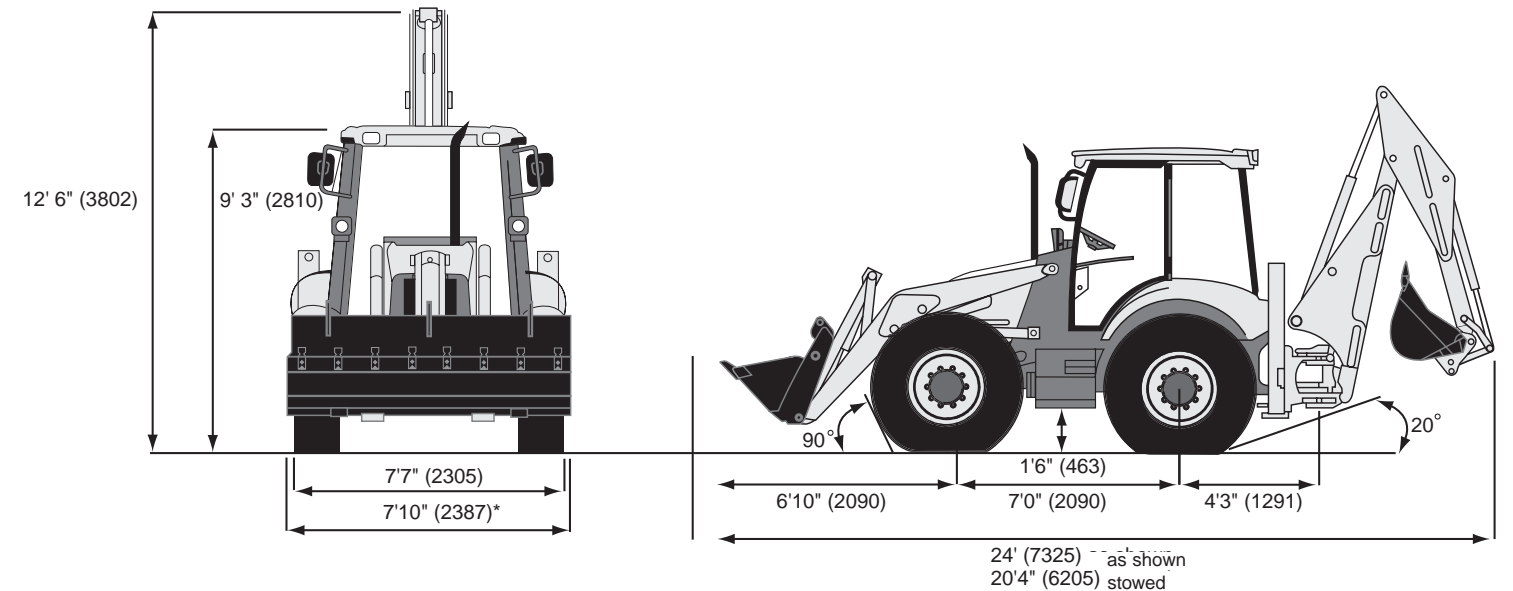
- Closed centre flow sharing system.
- Twin gear pumps for simplicity and reliability.
- Power Boost to match digging power and speed to application.
- Automatic or manually activated to give more precise control as required.
- Single pedal operation of auxiliary circuit and extending dipper (opt).
- Hydraulic oil cooler reduces operating temperatures and now cleanable.
- Hydraulic tank and filter easily accessed from ground level.
- Ride control option available.

@ 2200 rpm

Main Pump	gpm (lpm)	17.7/80
Secondary Pump	gpm (lpm)	17.7/80
System Main Relief Setting	psi (bar)	3250/225
Unloader Settings	psi (bar)	3000/207

TOTAL MACHINE WEIGHT

Total Machine Weight	lb (kg)	16581 (7537)
Add/Delete		
7 in 1 Multi - Purpose	lb (kg)	+741 (337)
7 in 1 Multi - Purpose Fork Kit	lb (kg)	+336 (153)
Deep Dig Dipper	lb (kg)	+477 (217)



*1.2 cubic metre bucket shown

ENGINE

- Emission compliant to EC Stage 2 and EPA Tier 2.
- Higher horsepower and increased torque back up for lugging ability.
- Electric fuel lift pump for increased reliability.
- Easy service ECOplus fuel filter.
- Service periods increased to 500 hours.

CE		
Engine Model		1104C-44T
Capacity	in ³ (ltr)	269 (4.4)
Rated Speed	rpm	2200
Gross Power @ 2200 rpm	kW (hp)	74.5 (100*)
Certified Rating to ISO/TR 14396		
Derived Net Rating @ 2200 rpm to ISO/80/1269/EC	kW (hp)	70.3* (94*)
Max Torque @ 1400 rpm		
ISO/TR 14396	Nm (lbfft)	415 (305*)
ISO 80/1269/EC	Nm (lbfft)	395* (290*)

* Nominal Non-Certified Values

TRANSMISSION

- 4 speed full powershift gearbox with electronic gear change.
- Twist grip lever provides effortless operation.
- Push button kickdown facility for added traction.
- Modulated clutch packs ensure smooth direction changes.
- Single stage torque converter with 2.60:1 stall ratio.
- Semi-automatic shifting between 3rd and 4th speeds.

Tyres	Front:	16.9 x 24
	Rear:	16.9 x 24
Travel Speeds Forward		
1st	Km/h (mph)	5.8 (3.6)
2nd	Km/h (mph)	10.9 (6.8)
3rd	Km/h (mph)	21.9 (13.6)
4th	Km/h (mph)	41.56 (25.8)
Reverse		
1st	Km/h (mph)	6.9 (4.2)
2nd	Km/h (mph)	13.0 (7.9)

AXLES AND BRAKES

- Outboard planetary final drives for easier servicing.
- Foot operated hydraulically actuated differential lock.
- 16° front axle oscillation to maintain maximum ground contact and traction.
- Power boosted hydraulic brake actuation.
- Self-equalizing and self adjusting.
- Independent brake operation.
- Friction area per brake assembly 1091cm² (169in²).
- Selectable 2 or 4 wheel braking.

TURNING CIRCLES

		Over Tyres	Over Bucket
2 Wheel Steer	m (ft)	11.4 (37' 4")	13.1 (43' 0")
4 Wheel Steer	m (ft)	7.3 (23' 9")	9.3 (30' 5")
(with Brakes)	m (ft)	6.7 (22' 0")	8.8 (28' 9")

Depending on tyre size

TEREX Compact
Central Boulevard
Prologis Park
Coventry
CV6 4BX
England
Tel: +44(0) 024 7633 9400
Fax: +44(0) 024 7633 9500

www.terexce.com

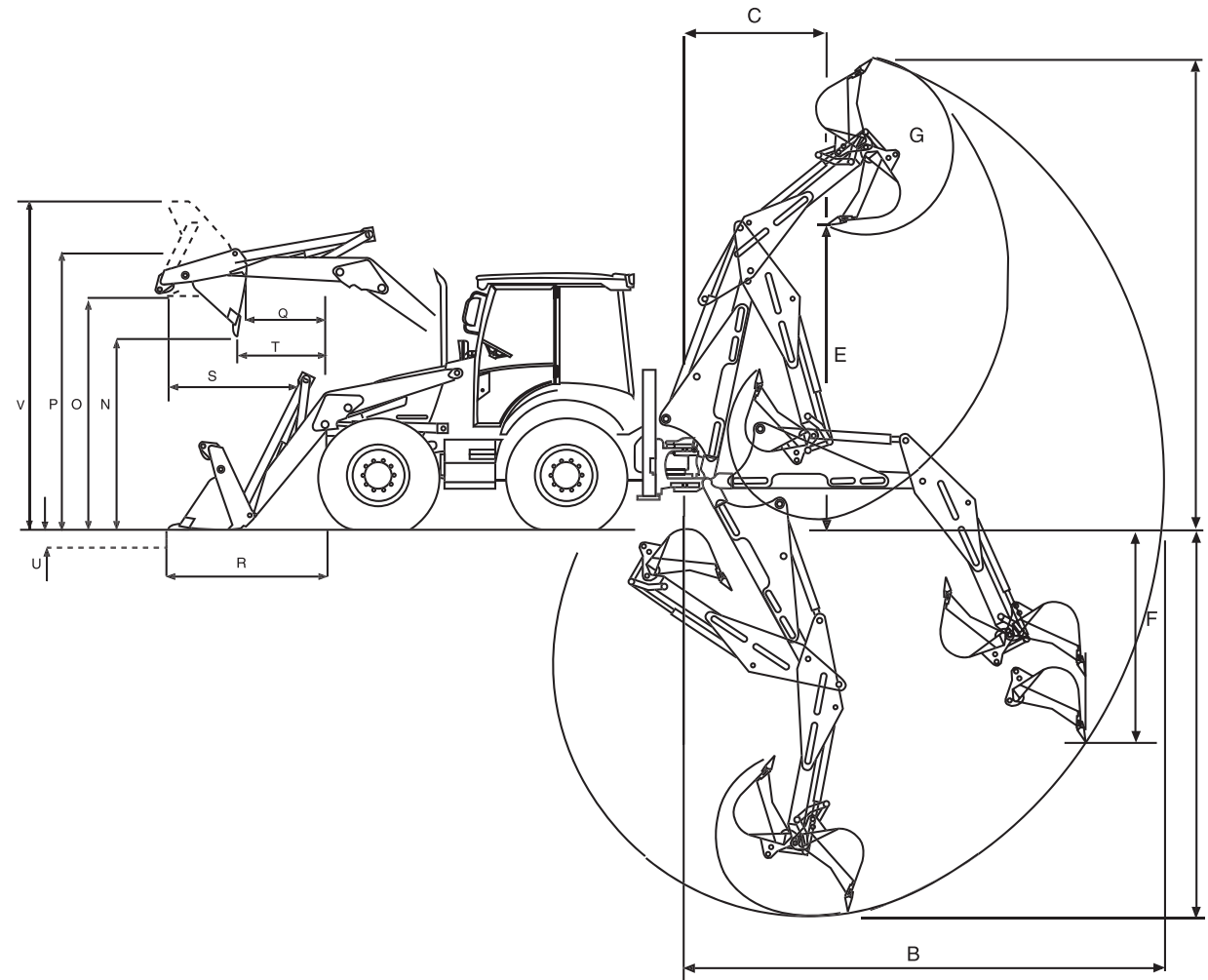
TEREX Compact reserve the right to change specification without notice.
Illustration may show options or accessories.

LOADER DIMENSIONS			
		Standard Shovel	7-in-1 Shovel
N Dump Clearance at 45°	mm(ft)	2748 (9')	2748 (9')
Dump Height (Fully Dumped)	mm(ft)	2669 (8' 9")	2669 (8' 9")
O Loadover Height	mm(ft)	3350 (11')	3350 (11')
P Hinge Pin Height	mm(ft)	3590 (11' 9")	3590 (11' 9")
Q Pin Forward Reach	mm(ft)	352 (1' 2")	352 (1' 2")
R Reach At Ground	mm(ft)	1582 (5' 2")	1582 (5' 2")
S Max. Reach At Full Height	mm(ft)	1282 (4' 3")	1282 (4' 3")
T Reach At Full Height- 45°	mm(ft)	829 (2' 9")	829 (2' 9")
Reach At Full Height- Fully Dumped	mm(ft)	645 (2' 1")	645 (2' 1")
U Dig Depth	mm(ft)	116 (5")	116 (5")
Rollback At Ground	deg	45°	45°
Max Dump Angle	deg	57°	57°
V Overall Operating Height	mm(ft)	4338 (14' 3")	4388 (14' 5")

LOADER PERFORMANCE			
		Standard Shovel	7-in-1 Shovel
Shovel Breakout	kgf (lbf)	5559 (12256)	5380 (11861)
Arms Breakout	kgf (lbf)	5264 (11605)	4923 (10853)
Lift Capacity To Full Height	kg (lb)	3959 (8728)	3563 (7855)

LOADER ATTACHMENTS			
		Standard Shovel	7-in-1 Shovel
Width	mm (ft)	2387 (7' 10")	2387 (7' 10")
Capacity	m ³ (yd ³)	1.2 (1.56)	1.2 (1.56)
Weight	kg (lb)	430 (946)	767 (1687)

FORKS			
Fork Length	mm (ft)	1067 (3' 6")	
Section Width	mm (ins)	80 (3")	
Assembly Weight	kg (lb)	153 (336)	
Max. Operating Height	mm (ft)	3199 (10' 6")	
Reach At Ground Level	mm (ft)	2660 (8' 9")	
Reach At Full Height	mm (ft)	2251 (7' 5")	
S.W.L. At 500mm Load Centre	kg (lb)	1000 (2204)	



CAPACITIES			
Fuel Tank	ltrs (gals)	130 (29)	
Engine Coolant	ltrs (gals)	16.0 (3.5)	
Engine Oil (inc. Filter)	ltrs (gals)	8.5 (1.9)	
Transmission	ltrs (gals)	23.0 (5.1)	
Rear Axle	ltrs (gals)	13.0 (2.9)	
Front Axle	ltrs (gals)	12.0 (2.6)	
Hydraulic System	ltrs (gals)	143 (31.7)	

- | ELECTRICS |
|---|
| <ul style="list-style-type: none"> • 12 volt system. • Battery step mounted for good access. • Low maintenance battery. • 75 A alternator. 100A option. • Connectors sealed against water and dust. • 33 circuit fuses. • 25circuit relays. • Battery isolator. |

BACKHOE DIMENSIONS				
		Standard Dipper	Deep Dig Dipper	
			Ret	Ext
A Dig Depth - Maximum SAE	mm (ft)	4431 (14' 6")	4431 (14' 6")	5775(18' 11")
2ft Flat Bottom SAE	mm (ft)	4415 (14' 5")	4415 (14' 5")	5764(18' 11")
B Reach - Ground Level To Slew	mm (ft)	5725 (18' 9")	5725 (18' 9")	7016 (23')
C Loading Reach	mm (ft)	1996 (6' 7")	1996 (6' 7")	2924 (9' 7")
D Operating Height	mm (ft)	5699 (18' 8")	5699 (18' 8")	6677 (21'11")
E Loading Height SAE	mm (ft)	3593 (11' 9")	3593 (11' 9")	4571 (15')
Max Load Height	mm (ft)	3911 (12' 10")	3911 (12' 10")	4889 (16'1")
F Maximum Straight Wall Dig Depth	mm (ft)	2562 (8' 5")	2562 (8' 5")	3951 (13')
G Bucket Rotation -	deg	194°	194°	194°
Total Side Shift	mm (ft)	1286 (4' 3")	1286 (4' 3")	1286 (4' 3")
Stabiliser Spread	mm (ft)	2115 (6' 11")	2115 (6' 11")	2115 (6' 11")
Maximum Levelling Angle	deg	8°	8°	8°

BACKHOE PERFORMANCE				
		Standard Dipper	Deep Dig Dipper	
			Ret	Ext
Slew Torque	Nm (lbfft)	16100 (11875)	16100 (11875)	16100 (11875)
Dipper Tearout	kgf (lbf)	3946 (8670)	3946 (8670)	2644 (5829)
Bucket Tearout -	kgf (lbf)	5260 (11596)	5260 (11596)	5260 (11596)
Hydraulic Lift Capacity (Including Bucket)	kg (lb)	1564 (3448)	1297 (2859)	918 (2024)

BACKHOE ATTACHMENTS				
Attachments	Width	Capacity	Weight	
Trench Bkts	12in (305mm)	2.94ft ³ (83ltrs)	207lb	(94kg)
	18in (450mm)	4.37ft ³ (124ltrs)	247lb	(112kg)
	24in (600mm)	6.51ft ³ (184ltrs)	295lb	(134kg)
	24in (600mm)	8.22ft ³ (233ltrs)	295lb	(143kg)
	30in (750mm)	8.74ft ³ (248ltrs)	342lb	(155kg)
Ditch cleaning	36in (900mm)	11.03ft ³ (312ltrs)	390lb	(177kg)
	60in (1525mm)	8.0ft ³ (220ltrs)	320lb	(145kg)
Sq hole bucket	72in (1830mm)	10.0ft ³ (300ltrs)	388lb	(176kg)
	36in (900mm)	4.41ft ³ (125ltrs)	353lb	(160kg)