

TB153 **FR**

ZERO-SWING EXCAVATOR

● Machine Weight : 5615kg



TAKEUCHI

ADJUSTABLE ONE PIECE OFFSET BOOM SYSTEM



Operator Comfort

Spacious Compartment decreases operator's fatigue during long days of productive operation.

Wide Entrance provides the comfort entry/exit.

Two-Speed Travel Switch is conveniently located on the right hand travel lever for ease of operation.



Two-Speed Travel Shift-Down System automatically shifts travel speed from high to low speed when ground conditions call for additional traction power.

One Touch Engine Decelerator installed on the right hand joystick reduces fuel consumption when the excavator is temporary idled.



Short Pitch Rubber Crawlers provide vibration free travel even on the roughest ground conditions.

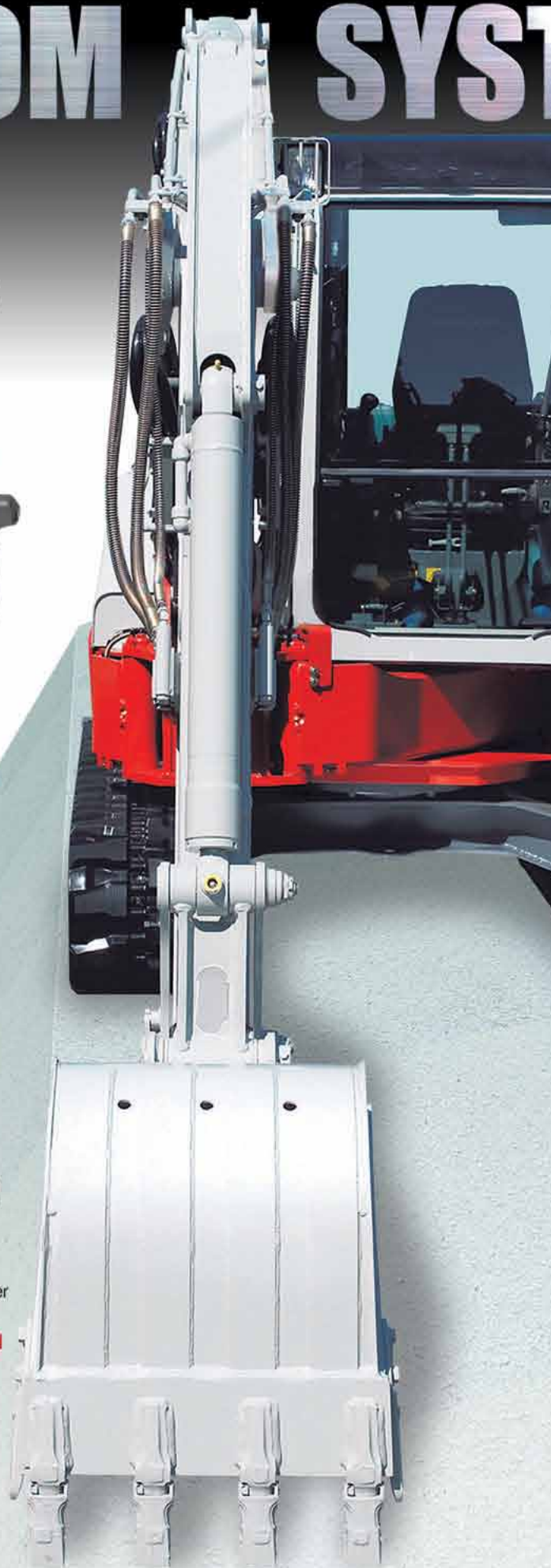


Serviceability

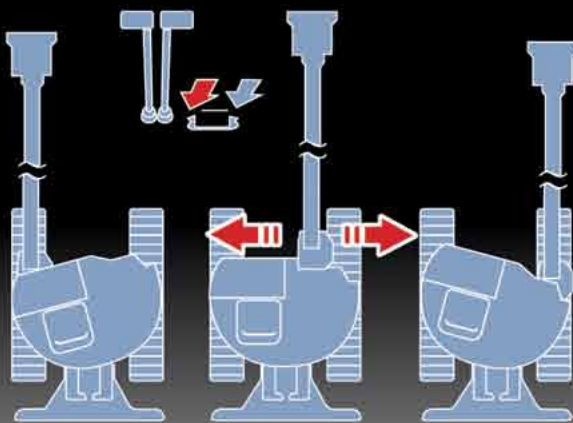
Tilt-Up Operator's Platform provides excellent service access to the engine and other components.

Multiple Ground Level Access Panels allow quick and easy maintenance servicing.

Newly Designed Radiator & Exhaust System for releasing heat quickly / easy maintenance.



THE SYSTEM



combined with zero-swing.
A compact and innovative
ZERO-SWING

enables the TB153FR to
efficiently operate in
confined areas.



Safety

**Well-Balanced
Machine Weight**
insures superior stability.

**Emergency engine
shut down / return to
idle system**

helps protect the engine from
problems due to unobservant
operators.

Environmental Sensitivity

New Series Engine

is designed to meet the most strict
worldwide exhaust emission standards
and also provides significantly reduced
noise levels for minimal disturbance in
urban areas.



TB153FR Canopy



Ease of Operations

**Excellent Travel & Slew
Speed**

shorten operation cycle time.

Hydraulic Attachment

are operated by momentary push
button or proportionally controlled by the
slider switch on the joystick.



Options

Air Conditioner

provides a comfortable operating environment in even the warmest climate.

2nd, and 3rd AUXILIARY HYDRAULIC SERVICE PORT
powers attachments that require multiple hydraulic actuation.

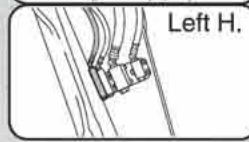
Optional Long Arm

increases the excavators working range.

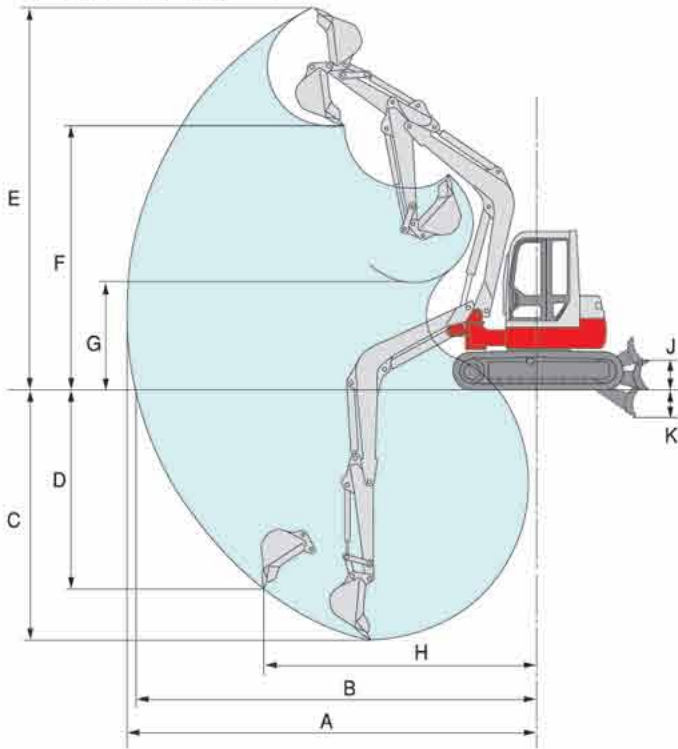
Proportional Auxiliary Hydraulic Switch
is controlled at your fingertips.

Immobilizer System

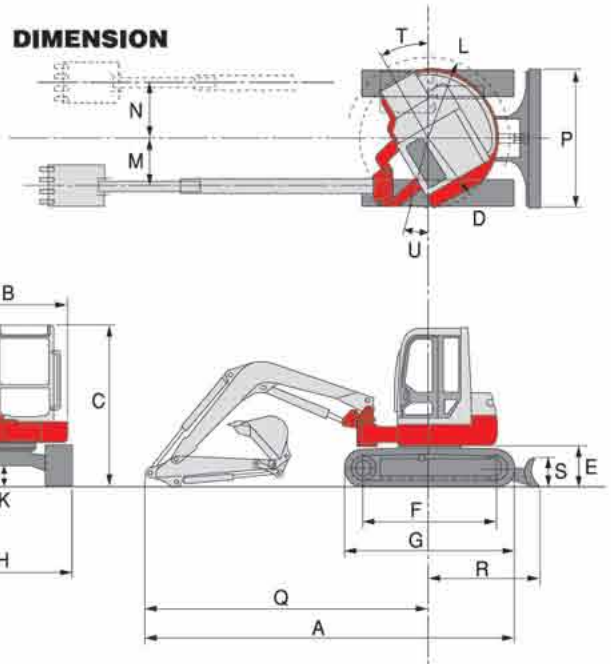
protects the machine from theft by requiring an ID coded key to start the excavator.



OPERATING RANGE



DIMENSION



Units:mm

Item	Rubber Crawlers	
	Standard Arm	Long Arm
A	5905	6195
B	5765	6065
C	3590	3900
D	2735	3030
E	5320	5490
F	3710	3885
G	1435	1125
H	3985	4075
J	435	←
K	350	←

Units:mm | :Canopy

Item	Rubber Crawlers		Item	Rubber Crawlers	
	Standard Arm	Long Arm		Standard Arm	Long Arm
A	5330	5350	L	1285	←
B	1860	←	M	720	←
C	2570 (2585)	←	N	825	←
D	1110	←	P	2000	←
E	615	←	Q	4085	4105
F	1985	←	R	1720	←
G	2500	←	S	430	←
H	2000	←	T	30°	
J	400	←	U	15°	
K	300	←			

SPECIFICATIONS TB153FR Cab, Rubber Tracked, Breaker Piping Standard Long Dozer Blade (STEEL TRACKED)

WEIGHT		Rear Slew Radius		OPERATING RANGE : mm	
Machine Weight	kg	5615 (5680)	1110	Max. Digging Depth	3590
BUCKET		Min. Ground Clearance		300	Max. Vertical Digging Depth
Bucket Capacity	m ³	0.141	PERFORMANCE		2735
Bucket Width	mm	640	Traction Speed	km/h	2.8 / 5.0 (2.5 / 4.7)
DIESEL ENGINE (WATER-COOLED)		Upper Slew Speed		min ⁻¹	9.8
Model	4TNV88-PTBZ1	Gradeability		deg/%	30° / 58%
Type	4CYCL_4CYL_Direct Injection	Max Dig Power Bucket		kN	36.3
Rated Output	kW	28.8	Max Dig Power Arm		kN
Max. Torque	N·m	138	Ground Pressure		kPa
Displacement	mL	2189	DOZER BLADE : mm		32.2 (32.6)
Cooling Water Capacity	L	8.4	Width x Height		2000X430
Lubrication Oil Capacity	L	7.4	Operating Range up/down		435 / 350
Fuel Tank Capacity	L	65	OFF-SET DIG FUNCTION		
OVERALL DIMENSION:mm		Type		Boom Offset	
Length (in transport)	5330	Swing Angle RH/LH		15° / 30°	
Width	2000	TRACTION SYSTEM : mm			
Height	2570	Crawler (Track)		Rubber	
		Track Width RT (ST)		400 (400)	
		HYDRAULIC SYSTEM			
		Pump Type		2xVariable (P1+P2) +2xGear (P3+P4)	
		Set Pressure		MPa	
		Discharge		L/min	
		Breaker & Service Port		L/min	
		Slew Motor		Piston Motor	
		Traction Motor		2-Speed Piston Motor	
		Hydraulic Tank Capacity		L	
				68 (Level) / 115 (System)	

WORLD CREATOR OF COMPACT EXCAVATOR
TAKEUCHI MFG.CO.,LTD.

205, Uwadaira, Sakaki-machi, Hanisina-gun.
Nagano 389-0605, Japan
Phone (81)268-81-1112
Telefax (81)268-81-1121
URL <http://www.takeuchi-mfg.co.jp>
E-mail: marketing@takeuchi-mfg.co.jp

 **Semco**TM
Equipment Sales

1800 685 525
www.semco-group.com.au