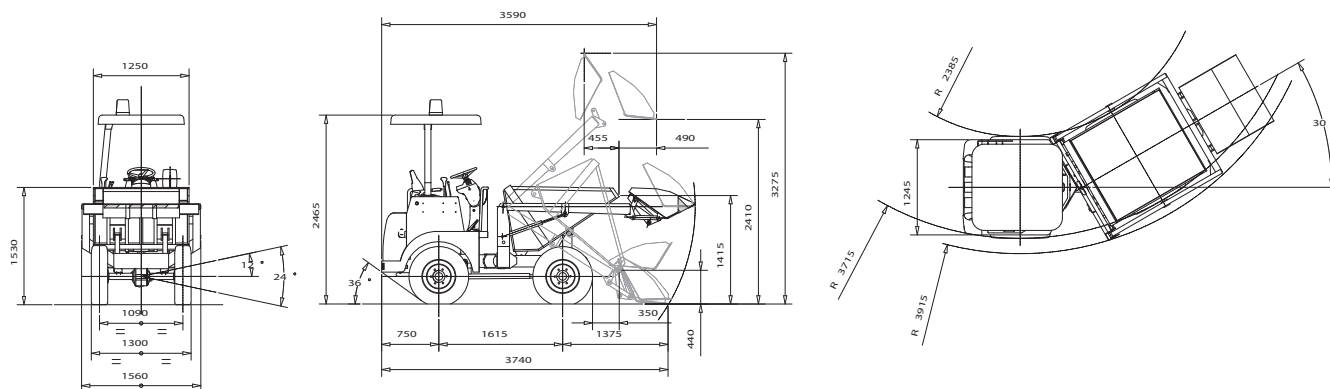


DUMPER D 25 AC SLIM



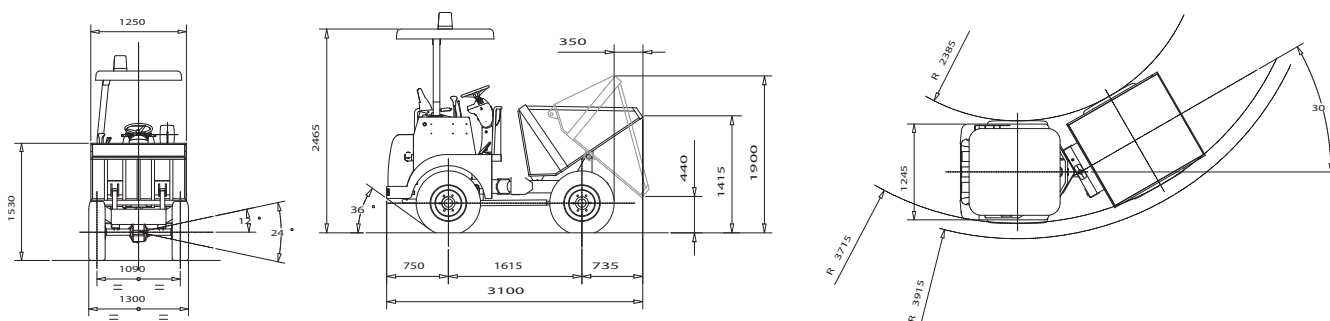
WEIGHTS AND CAPACITIES

Weight in working conditions: 2230 kg
Max skip payload: 2300 kg
Skip capacity, struck: 750 litres
Skip capacity, heaped (SAE std): 1050 litres
Self loading Skip capacity, struck: 110 litres
Self loading Skip capacity, heaped (SAE std): 170 litres

DIMENSIONS

Min. move length 4090 mm
Max width 1570 mm
Max move height 2465 mm
Inside steering radius 2385 mm
Rear overhang angle 37°
Ground clearance (under differentials) 260 mm

DUMPER D 25 RF SLIM



WEIGHTS AND CAPACITIES

Weight in working conditions: 1930 kg
Max skip payload: 2300 kg
Skip capacity, struck: 750 litres
Skip capacity, heaped (SAE std): 1050 litres

DIMENSIONS

Min. move length 3100 mm
Max width 1330 mm
Max move height 2465 mm
Inside steering radius 2385 mm
Rear overhang angle 37°
Ground clearance (under differentials) 260 mm