

D 100^{SL}

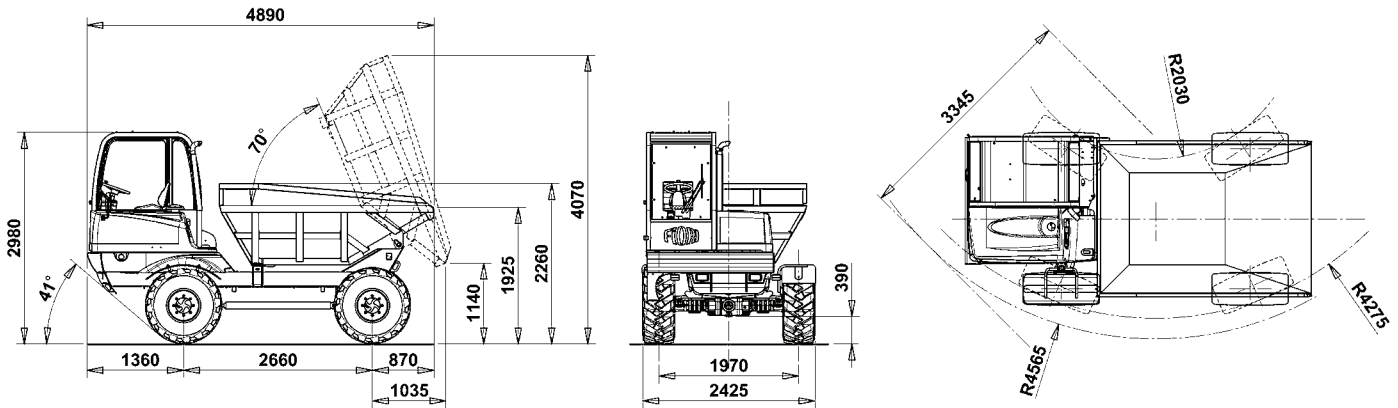


All pictures shown are for illustrative purposes only and may contain optional equipment.

DUMPER SYSTEM

This is the ideal vehicle for transport of large quantities of materials whenever driving reversibility, speed, visibility and safe manoeuvrability are absolute musts. This is the most compact vehicle of its segment (10,000 kg capacity, front dumping). FIORI GROUP dumpers guarantee perfect traction and manoeuvrability on rough terrains, while also ensuring driving safety, flexible and user-friendly in both directions (forward and reverse).





DIESEL ENGINE

PERKINS series turbo engine 1104
 Mechanical control with direct injection
 Max. power 83 kW (113 HP)
 Adj. power 83 kW (113 HP) at 2200 rpm
 Max. torque 418 Nm at 1400 rpm
 Bore/stroke: 105/127 mm
 4 cylinders - total displacement 4400 cc
 Water cooling, dry air filter
 Directive 2004/26/CE - Stage III A

ELECTRIC SYSTEM

Alternator: 12 V - 55 A
 Battery: 12 V - 132 Ah (600 A)
 Road light system.

4X4 FOUR-WHEEL DRIVE

Hydrostatic "automotive" transmission with variable displacement pump and variable displacement hydraulic motor with electro-hydraulic control, and reverse gear control on the steering wheel.
 Electro-hydraulically controlled mechanical gearbox for "working speed" and "road transfer" speed.

SPEED

4 forward gears 4 reverse gears
 I° 0 - 3,7 Km/h 0 - 3,7 Km/h
 II° 0 - 9,5 Km/h 0 - 9,5 Km/h
 III° 0 - 11,8 Km/h 0 - 11,8 Km/h
 IV° 0 - 30,0 Km/h 0 - 30,0 Km/h
 Traction / weight ratio ----- 48%

AXLES AND WHEELS

Front load-bearing, oscillating ($\pm 6^\circ$) and steering with planetary reduction gears on the wheel hubs.
 Rear load-bearing and steering with planetary reduction gears on the wheel hubs and directly flanged gearbox.
 Tyres 18 -19.5 14PR

BRAKES

Internal oil-bath disc service and emergency brakes acting on the 4 wheels, activation with miniservo pump on independent dual circuit.
 Negative type parking brake, with internal oil-bath discs on the rear axle and electro-hydraulically controlled release.

STEERING

Assisted by means of load-sensing power steering with double displacement on 4 steering wheels; steering selection device for: 2 steering wheels, 4 steering wheels - crab steering.

EQUIPMENT HYDRAULIC SYSTEM

Gear pump
 Max. flow rate: 45 litres/min.
 Maximum pressure: 180 bar
 1-element distributor.
 Aluminium heat exchanger for hydraulic oil cooling.
 Pressurised closed-circuit intake with oil filter replaceable from the outside.

DUMP BODY

Reinforced dump body with tilting by means of 2 double-acting jacks.
 Struck capacity 4200 litres
 SAE heaped capacity 5600 litres

CAB

Closed cab with heating system, designed in accordance with ROPS FOPS standards.
 180° pivoting driving post. Anatomic seat with flexible suspension and height adjustment, seat belts.
 Driving and equipment controls with ergonomic arrangement.
 LCD TV display with camera for rear visibility.

SERVICE REFILL CAPACITIES

Fuel tank in cross-linked polyethylene, 95 litres
 Total hydraulic system capacity: 95 litres
 Engine oil: 9 litres

WEIGHTS

Operating weight 5300 kg
 Max gross weight: 15500 kg
 load-carrying capacity: 10200 kg