

A white and red Takeuchi TB228 Full Hydraulic Compact Excavator is shown in a construction site. The excavator's boom is extended upwards, and its bucket is open. The machine is positioned on a pile of dark, rocky material. The background is a clear blue sky with some light clouds. The excavator has a red base and a white upper body. The text "TAKEUCHI" is overlaid in white, and "TB228" is overlaid in a large, metallic, 3D font. Below "TB228" is the text "FULL HYDRAULIC COMPACT EXCAVATOR" and "Machine Weight : 2810kg".

TAKEUCHI

TB228

FULL HYDRAULIC COMPACT EXCAVATOR

Machine Weight : 2810kg



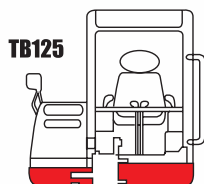
TB228 FULL HYDRAULIC COMPACT EXCAVATOR



- **ISOLATION MOUNTED PLATFORM** minimizes noise and vibration
- **SPACIOUS AND COMFORTABLE** operator's compartment with a clear, panoramic view. Cabin is 12% larger than previous models
- **TWO REAR VIEW MIRRORS** (CABIN)

OPERATOR COMFORT

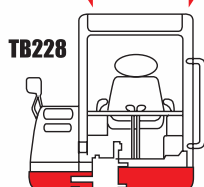
EVOLUTION OF TECHNOLOGY



- **MULTI-ADJUSTABLE SUSPENSION SEAT** and retractable seat belt

- **ROLL UP FRONT WINDOW** with gas spring lift assist cylinder

← **WIDER** →



- **INTERIOR IMPROVEMENTS** include cup holders, and storage compartments.

- **RADIO WITH AUXILIARY JACK** for Mp3 player (CABIN)

- **CABIN COMES STANDARD WITH HEATER**

- **UPDATED AND EASY TO READ MONITOR** that is equipped with audible and visual warnings in the event of an abnormal decreases in engine lubrication pressure or excessive engine coolant temperature.

- **LARGE, ADJUSTABLE ARM RESTS**



- **SHORT PITCH RUBBER TRACKS**

- **DOUBLE FLANGED TRACK ROLLERS** provide increased roller / rail contact



SAFETY

EVOLUTION OF TECHNOLOGY

- **ROPS/FOPS**
Certified cab/canopy
- **CAST IRON WRAP-AROUND COUNTERWEIGHT** protects the engine compartment from damage when working in confined areas
- **FRONT AND REAR MOUNTED LIGHTS** improve job site safety conditions
- **SPRING APPLIED, HYDRAULICALLY RELEASED** wet disk brake for travel and slew motors
- **AUDIBLE AND VISUAL WARNINGS** in the event of an abnormal decreases in engine lubrication pressure or excessive engine coolant temperature.



- **SAFETY LOCKOUT LEVER** for travel and operating controls

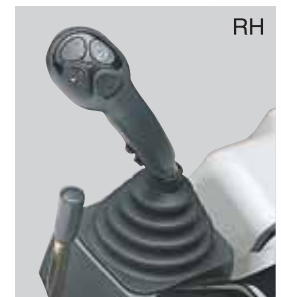
- **BUCKET CYLINDER AND AUXILIARY CIRCUIT HOSES** are routed through the arm for increased protection against abrasion and damage

- **PILOT CIRCUIT FILTER**
- **BOOM CIRCUIT LOCK-VALVE**

EASE OF OPERATION

EVOLUTION OF TECHNOLOGY

- **PROPORTIONAL AUXILIARY HYDRAULIC CONTROL**
(Please refer to the "OPTION")
- **PUSH BUTTON DECEL SYSTEM** with optional auto decel
- **TWO-SPEED TRAVEL SWITCH** is conveniently located on the right hand travel lever
- **TWO SPEED TRAVEL WITH AUTOMATIC STEP DOWN TRAVEL MOTORS**
- **CUSHIONED BOOM SWING** cylinders



ENVIRONMENTAL SENSITIVITY

New emissions compliant engines are designed to meet the most strict exhaust emission standards worldwide

- **TILT FORWARD OPERATOR PLATFORM** is quickly and easily raised for optimum machine serviceability. Maintenance and repair time are significantly reduced through quick and unencumbered access to the inside of the machine.
- **BATTERY, WATER SEPARATOR AND MAIN FUSES** are easily replaced
- **GREASE GUN** storage compartment
- **NEW TYPE FUEL FILTERS** have longer service interval times
- **INTEGRATED TIE DOWN POINTS**

SERVICEABILITY

EVOLUTION OF TECHNOLOGY



- **BULKHEAD STYLE HYDRAULIC FITTINGS** for the boom and dozer blade for quick and easy hose changes.

OPTIONS

EVOLUTION OF TECHNOLOGY

SERVICE PORTS

- SERVICE PORT 1 (STANDARD)
- SERVICE PORT 2 (OPTION)
- SERVICE PORT 3 (OPTION)
(NORMAL OR HIGH PRESSURE TYPE)

SERVICEABILITY

- DUAL AIR FILTER ELEMENT

HOLDING VALVE

- BOOM HOLDING VALVE
- ARM HOLDING VALVE

OPERATOR COMFORT

- ASH TRAY (CABIN)
- WORK LIGHT FRONT X 2
- WORK LIGHT REAR X 1 (CABIN)
- AUTO DECEL SYSTEM (STANDARD : MANUAL / OPTION : AUTO)



OTHER OPTIONS

- AUXILIARY HYDRAULIC CONTROL FOR SERVICE PORT 1
- STANDARD : BY BUTTON ON LEFT LEVER



- OPTION(1) :
BY FOOT SWITCH
(ON / OFF)

- OPTION(2) : BY PROPORTIONAL
SLIDE CONTROL ON LEFT LEVER

- CONTROL PATTERN SELECTOR VALVE
- LONG ARM / MIDDLE ARM
- STEEL CRAWLER
- RUBBER PAD CRAWLER
- ACCUMULATOR
- AIR BREATHER FOR HYDRAULIC OIL
- BATTERY DISCONNECT SWITCH
- TRAVEL ALARM
- ARM-IN RESTRICTION SYSTEM

- BREAKER (TKB101)



TB228

FULL HYDRAULIC COMPACT EXCAVATOR



TB228

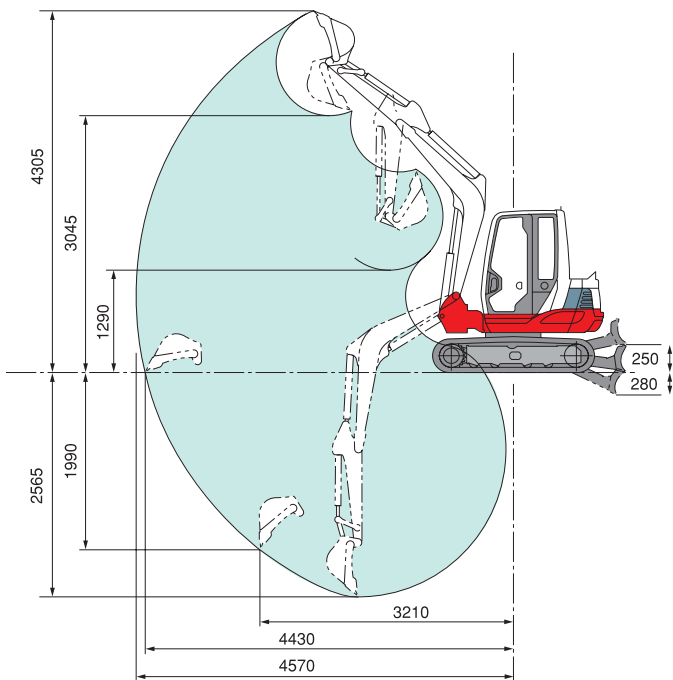
FULL HYDRAULIC COMPACT EXCAVATOR

TAKEUCHI

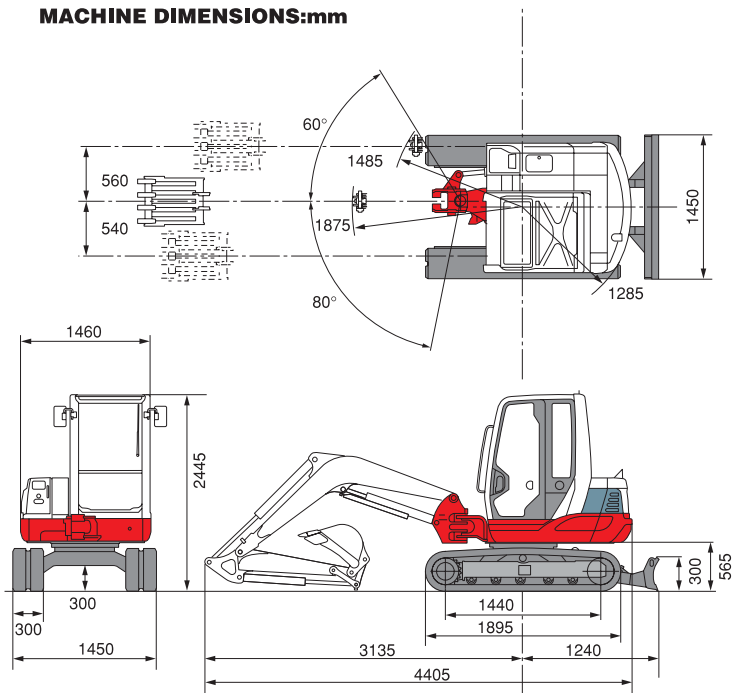


TAKEUCHI FULL HYDRAULIC COMPACT EXCAVATOR **TB228**

OPERATING RANGES:mm

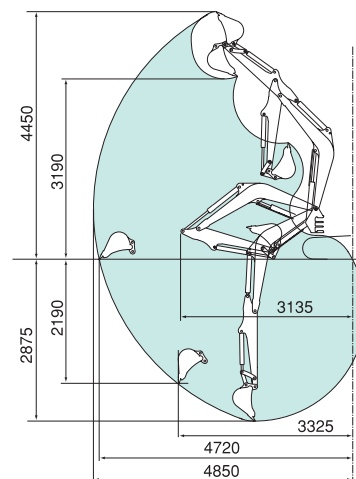
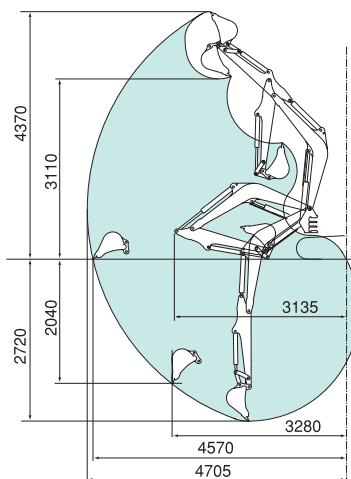


MACHINE DIMENSIONS:mm



MIDDLE ARM

LONG ARM



TB228

FULL HYDRAULIC COMPACT EXCAVATOR

SPECIFICATIONS TB228 (Cab, Rubber Tracked, Standard Arm, Breaker Piping Standard)

Weight		Fuel Tank L		53		HYDRAULIC SYSTEM	
Machine Weight	kg	Canopy	2695	Cabin	2810	Electric System	12V/40A
Bucket		PERFORMANCE		Pump type		Variable x 2 + Gear x 2	
Bucket Capacity (Heaped)	m ³	Traction Speed		km/h		Set Pressure	MPa
21.0 x 2 + 19.6 x 1 + 3.4 x 1	0.068 (Heaped)	Upper Slew Speed		min ⁻¹		Discharge	L/min
58.3 x 2 + 38.9 x 1 + 10.8 x 1	460	Gradeability		degrees		Slew Motor	Piston Motor
Diesel Engine (Water-Cooled)		Max Dig power Bucket		kN		Traction Motor	2-Speed Piston Motor
Model	3TNV82A	Max Dig power Arm		kN		SSA: 15.0 MSA: 14.0 LSA: 12.9	Hydraulic Oil Capacity
Cylinders / Type	3/4 Cycle	Ground Pressure		kPa		Canopy	28.3
Rated Power	kW	Cabin		29.5		SAFETY	
17.5 / 2,400 min ⁻¹	78.4 - 85.3	OFF-SET DIG FUNCTION		Type		ROPS / FOPS (CABIN / CANOPY)	
Maximum Torque	N·m	Type		Boom Swing		ROPS / FOPS	
Displacement	mL	TRACTION SYSTEM : mm		Type		Option & Equipments	
1331	4.2	Type		Rubber / Steel		Service Port 1 L/min/MPa	
Engine Coolant	L	Service Port 2 L/min/MPa		20.4 / 19.6 (Option)		Service Port 3 L/min/MPa	
3.6	3.6	Service Port 3 L/min/MPa		10.8 / 3.4 (Option)			

TAKEUCHI

WORLD CREATOR OF COMPACT EXCAVATOR
TAKEUCHI MFG.CO.,LTD.
 205, Uwadaira,Sakaki-machi, Hanisina-gun.
 Nagano 389-0605,Japan
 Phone (81)268-81-1112
 Telefax (81)268-81-1121
 URL <http://www.takeuchi-mfg.co.jp>
 E-mail:marketing@takeuchi-mfg.co.jp

SemcoTM
 Equipment Sales

1800 685 525

www.semco-group.com.au