



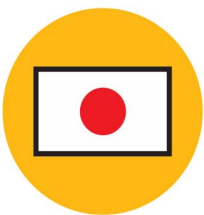
Since 1994

Semco[®]
Equipment Sales

WB07

TRACKDUMPER

by **YAMAGUCHI**



MADE IN JAPAN



PAYLOAD



880mm WIDE



KUBOTA DIESEL



UNIQUE TRACK DESIGN

www.semco-group.com.au

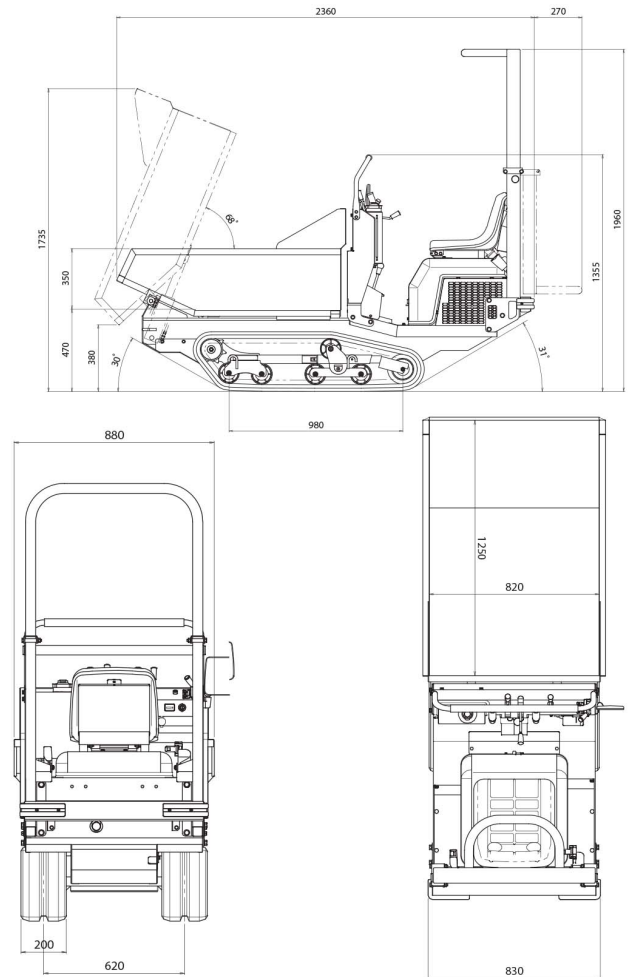
Specifications

Make	TrackDumper by Yamaguchi
Model	WB07
Payload	700kg
Unladen Weight	510kg
Maximum Speed	5.2 KPH / 3.23 MPH
Engine Make & Model	Kubota OC60
Engine Type	Single cylinder oil & air cooled diesel
Engine Power	4.4 KW / 5.98 HP
Ground Pressure Empty	13.72 KPA / 1.99 PSI
Ground Clearance	125 mm
Fuel Type	Diesel

Dimensions

Overall Length	2360 mm
Overall Width	880 mm
Overall Height	1355 mm
Track Centres	620 mm
Track Width	200 mm
Dump Body Length Internal	1250 mm
Dump Body Width Internal	820 mm

WB07 TRACKDUMPER by YAMAGUCHI



PH: 1800 685 525

Semco[®]
Since 1994
Equipment Sales

www.semco-group.com.au

**55-63 Kurrajong Ave,
St Marys NSW**